

SPECIFICATION OF DIE-CASTING INTEGRATED SOLAR STREET LIGHT



Overview

Design Principle

It integrates solar cells, lithium batteries, LED light sources, human body infrared sensors, solar energy system controllers, aluminum frames and mounting fixtures. Also optimizing the electronic circuits, the advantage is easy to transport, installation, convenient maintain etc..

Operating Principle

Through the light control + time control and PIR human infrared sensing working mode, the solar panel receives light during the day to charge the lithium battery. When the controller detects that the input voltage of the solar panel is lower than 5V, the controller starts to supply power to the LED light source. When the input voltage of the solar panel is higher than 5V, the controller will cut off the output power of the LED light source automatically, so as to achieve the purpose of light on at night, light off at day automatically.

Feature

★ Bridgelux LED chips from USA

The die-casting integrated solar street light uses the US Bridgelux LED source to provide superior lumen output, 140 lm/W (lumen/watt), long-lasting stability and excellent visual sense.

Each Bridgelux LED has anti-static protection components to minimize LED damage caused by static electricity.

★ PIR human infrared sensing

The use of human body infrared sensor control technology, energy storage during the day, high brightness when human comes, dim when nobody around. The LED lights will work at night automatically. The smart sensor module controls the working status of the lamps. The full power lighting mode is provided when the person comes. The energy saving mode is provided when the person leaves. The factory default working mode: light on at night, light off at day automatically. (You can also customize the working mode according to the customer's requirements).

★ Angle of installation is adjustable

The use of die-casting special fasteners, humanized adjustable angle of 30° -150° according to the use of project areas in different latitude and longitude countries.

★ High Capacity Lithium Battery

Using A level lithium iron battery, charge and discharge cycle 2000 times, the company has professional battery burn-in equipment test after 24 hours then assembly production, greatly reducing the product failure rate in the using process, we do each detail is to improve product quality and minimize the failure rate.

★ Integration Dismountable Design

The battery box is dismantlable, IP68 protection level, save a lot of maintain cost in future.

LED module COB light source is dismantlable, heat dissipation aluminum material, extend life span.

Controller with PIR sensor in one design also dismantlable, easy to maintain.

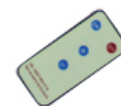
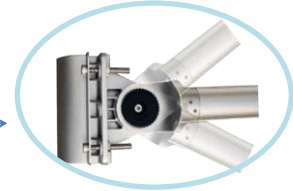
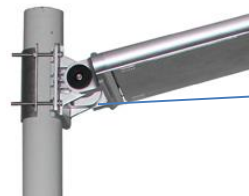
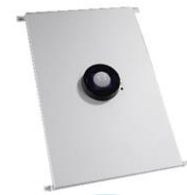
Electronic switch instead of traditional button, avoid some issues because of the traditional switch flick automatically on transportation. Die-casting design, the manufacturing process is more delicate, the appearance is more exquisite, the function is more powerful.



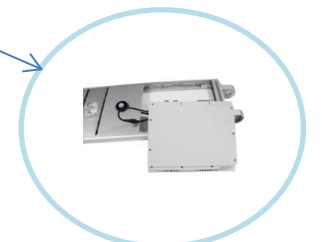
▶ COB High transmittance lens



▶ PIR human infrared sensing



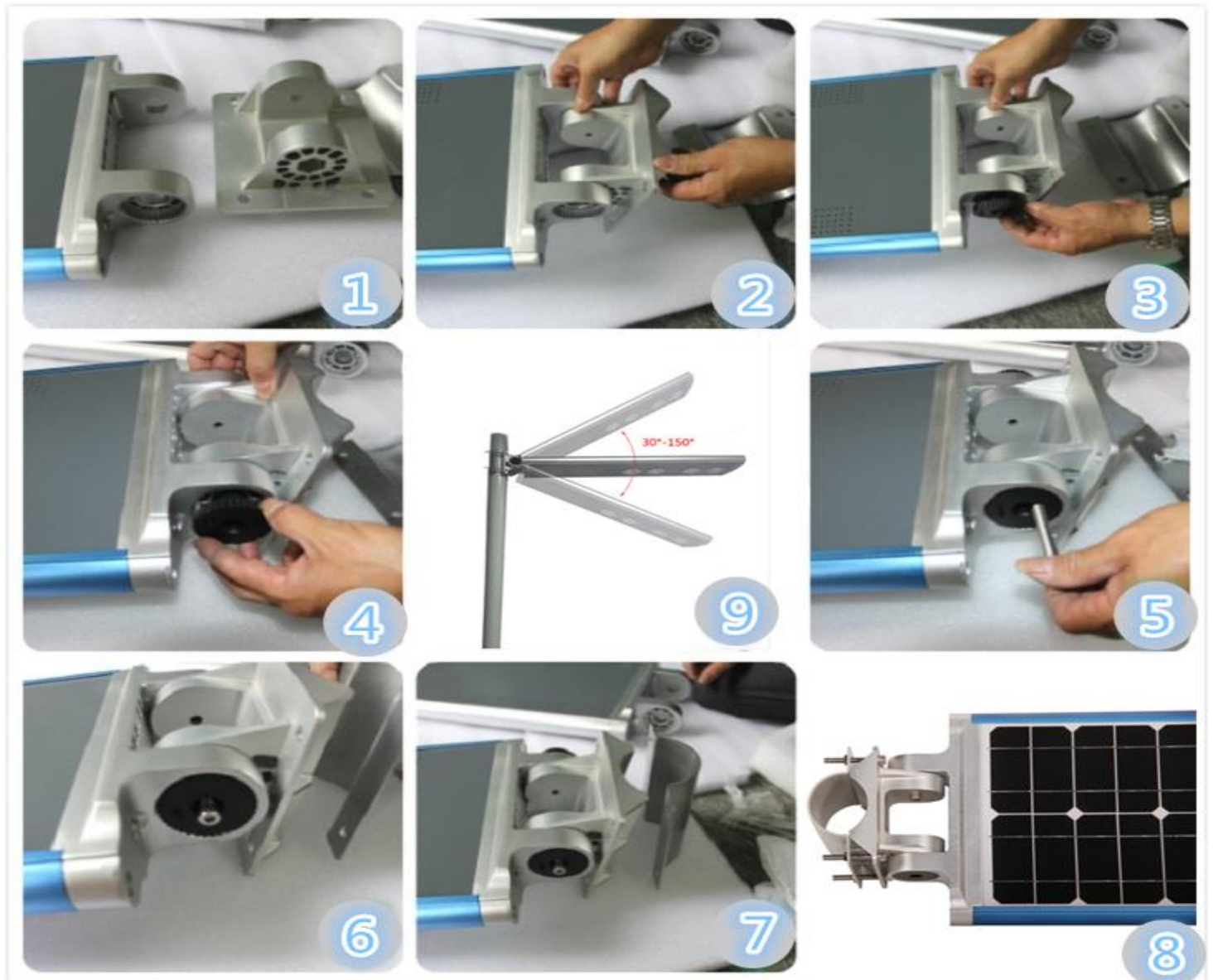
▶ Remote Controller



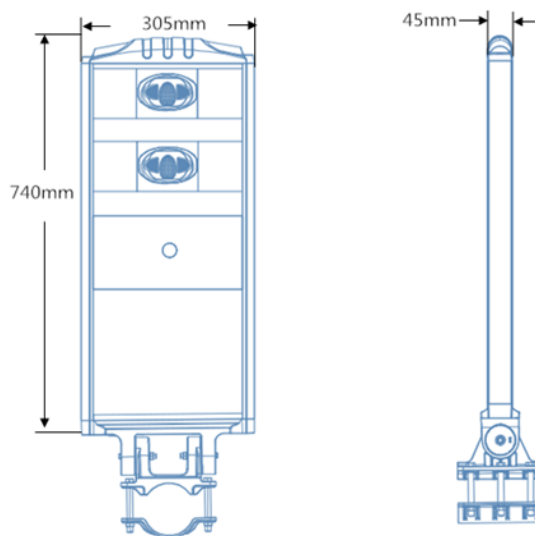
Installation Guide

- (1) Choose the best location for lighting to make the base of the pole firstly, the pole is recommended to use the height of 5-9 meters, the upper diameter of 60-110mm, the thickness of pole is greater than 2.3mm outdoor anti-rust paint iron or hot dip galvanized steel pipe material.
- (2) Open the package and check whether the accessories are complete.
- (3) Before installing, adjust the angle according to you need to set, and use a special plug to fix the position of the lamp cap and fasteners before continuing to tighten the screws.
- (4) The integrated lamp and the lamp post are fixed to each other, and it is necessary to tighten the hoop with screws.
- (5) After confirming that the screw is fully tightened between the lamp and the lamp post, press the switch on the rear of the lamp and stand up the pole, then the lamp will work automatically. light on at night, light off at day automatically.

★ Installation Steps



AL-T020S REFINEMENT SERIES 20W AIO SOLAR STREET LIGHT



Parameter

Electrical Parameter:

| | |
|-----------------------------|-----------------------------|
| Item No.: | AL-T020S |
| LED Brand: | Bridgelux COB encapsulation |
| LED Power: | 20W |
| Solar Panel: | 35W/18V |
| Lithium Battery: | 12AH/12.8V |
| Operating Time(full power): | 10hrs |
| Operating Time(save mode): | ≥ 48hrs |
| Charging Time: | 6-8hrs |
| Operating Temperature: | -20°C ~ +60°C |
| Illuminance: | 10LUX |

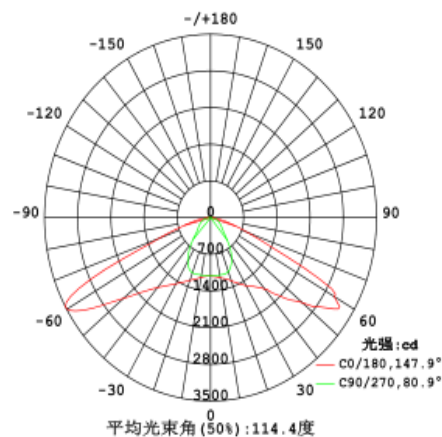
Photometric Parameter:

| | |
|----------------|---------------|
| Luminous Flux: | 2500LM-2800LM |
| Grading Type: | 1S |
| CCT: | 2700K-6500K |

Physical Parameter:

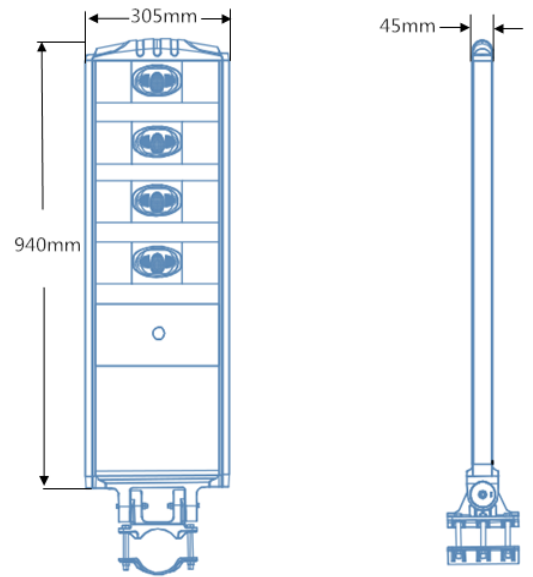
| | |
|--------------------|--------------|
| Mounting Height: | 4M-5M |
| Mounting Distance: | 15M |
| Product Size: | 740*305*45MM |
| N.W.: | 7.8KG |

1S



Packaging Type: 1set/2ctns
 Carton Size: 900*390*160MM
 Accessories Size: 180*170*150MM
 G.W.: 9.5KG

AL-T040S REFINEMENT SERIES 40W AIO SOLAR STREET LIGHT



Parameter

Electrical Parameter:

| | |
|-----------------------------|-----------------------------|
| Item No.: | AL-T040S |
| LED Brand: | Bridgelux COB encapsulation |
| LED Power: | 40W |
| Solar Panel: | 55W/18V |
| Lithium Battery: | 21AH/12.8V |
| Operating Time(full power): | 10hrs |
| Operating Time(save mode): | ≥ 48hrs |
| Charging Time: | 6-8hrs |
| Operating Temperature: | -20°C ~ +60°C |
| Illuminance: | 10LUX |

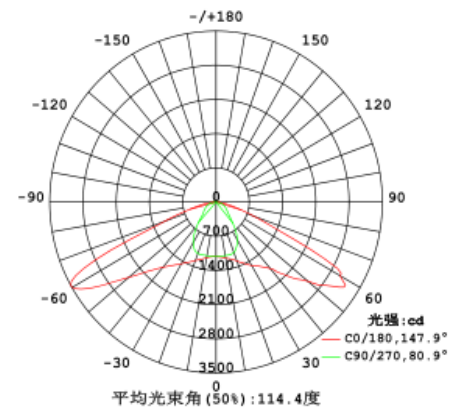
Photometric Parameter:

| | |
|----------------|---------------|
| Luminous Flux: | 4500LM-5500LM |
| Grading Type: | 1S |
| CCT: | 2700K-6500K |

Physical Parameter:

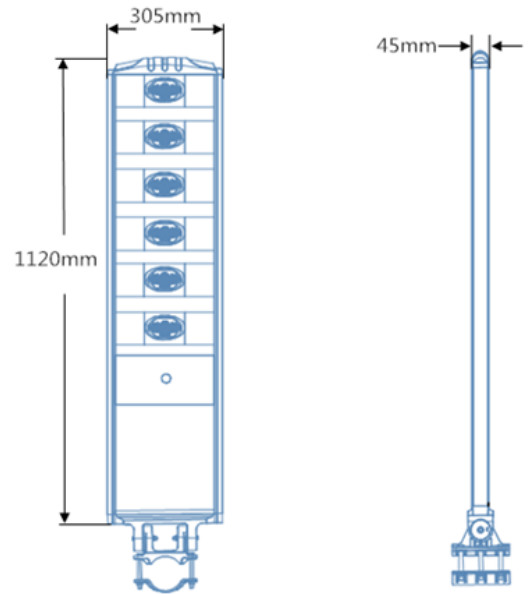
| | |
|--------------------|--------------|
| Mounting Height: | 6M-7M |
| Mounting Distance: | 25M |
| Product Size: | 940*305*45MM |
| N.W.: | 11KG |

1S



Packaging Type: 1set/2ctns
 Carton Size: 1100*390*160MM
 Accessories Size: 180*170*150MM
 G.W.: 13KG

AL-T060S REFINEMENT SERIES 60W AIO SOLAR STREET LIGHT



Parameter

Electrical Parameter:

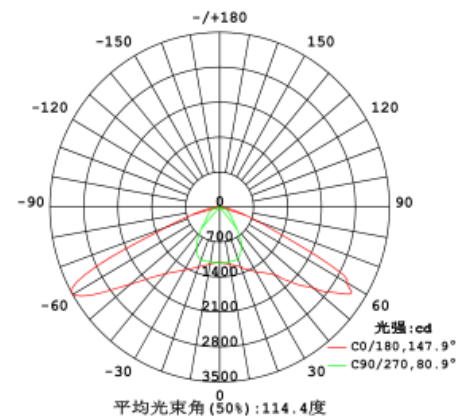
| | |
|-----------------------------|-----------------------------|
| Item No.: | AL-T060S |
| LED Brand: | Bridgelux COB encapsulation |
| LED Power: | 60W |
| Solar Panel: | 75W/18V |
| Lithium Battery: | 33AH/12.8V |
| Operating Time(full power): | 10hrs |
| Operating Time(save mode): | ≥ 48hrs |
| Charging Time: | 6-8hrs |
| Operating Temperature: | -20℃ ~ +60℃ |
| Illuminance: | 10LUX |

Photometric Parameter:

| | |
|----------------|---------------|
| Luminous Flux: | 6500LM-7500LM |
| Grading Type: | 1S |
| CCT: | 2700K-6500K |

Physical Parameter:

| | |
|--------------------|---------------|
| Mounting Height: | 8M-9M |
| Mounting Distance: | 25M |
| Product Size: | 1120*305*45MM |
| N.W.: | 13KG |



Packaging Type: 1set/2ctns
 Carton Size: 1280*390*160MM
 Accessories Size: 180*170*150MM
 G.W.: 15KG