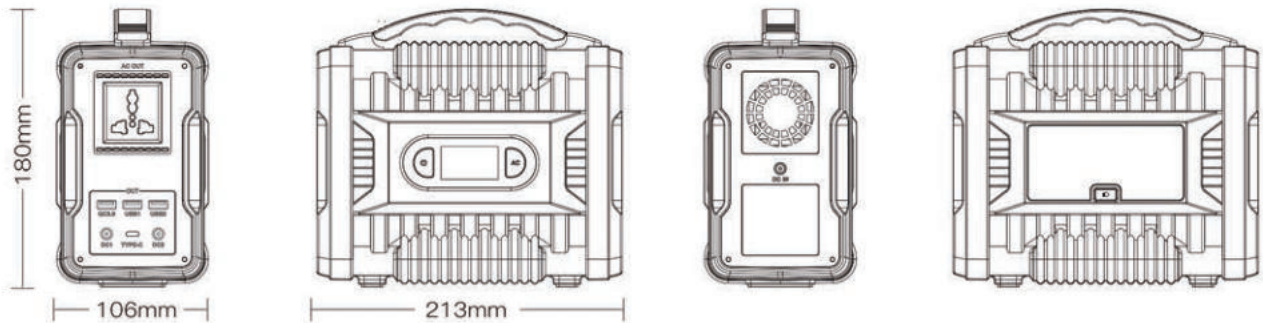


# Portable power supply

Output: 110V/220V AC (European, American, Japanese, universal), DC12V, USB(QC3.0), TYPE-C,  
 Input: Solar Pack, 15V3A Adapter, Car Charger  
 Certifications: CE, FCC, ROHS, PSE, MSDS, UN38.3...



## Product parameters

Model :	S202
Battery Capacity :	220Wh, 20Ah/11.1V(equivalent 6000mAh,3.7V)
Built-in Battery :	High Quality Lithium ion Batteries
Input Recharging :	Adapter: DC15V/3A Solar Panel Charging: DC 13V~25V/3A Max
Fully Charged Time :	DC15V/3A: 7~8 hours
USB Output :	2 x USB 5V/2.1A Max 1 x USB 5~9V/2A (Qualcomm QuickCharge3.0) 1 x TYPE-C 5~9V/2A (Qualcomm QuickCharge3.0)
DC Output :	2 x 5.5 * 2.1MM DC Output: 9~12.5V/10A(15A Max)
AC Output :	Modified SineWave Output; AC Voltage: 110/120/220/230/240V AC±10% Output Frequency: 50/60Hz±10% Attention: Actual AC voltage/Frequency/Outlet(s) are customized according to different Countries and areas.
AC Power :	AC Continuous Output: 250W (350W Max)
Bulb Type :	4W Ultra bright LED light With SOS/ Blink mode
Power Indicator :	Led Display
Operation temperature :	-10°C~40°C
Lifecycle :	>500 times
Dimensions(L x W x H) :	213x106x180mm
Net Weight :	About 2.2Kg
Accessories :	1 x Portable Power Supply 1x 15V/3A Power Adapter 1 x Car Charger 1 x Cigarette Lighter Adapter 1 x User manual.

\* The technical parameters may vary slightly. Please refer to the physical object.